



Storm Door Collection

MAKE A WELCOMING IMPRESSION THAT LASTS

Storm doors that

stand out.





Pella's attractive selection of storm doors is designed to suit your personal tastes and complement the beauty of your entryway. Pella® storm doors use heavy-duty materials that provide smooth, dependable operation for years to come. Plus the thoughtful details make an attractive first impression.



What can storm doors do for you?

Enhance the beauty of your entrance with elegant storm door designs to fit your home's style. A storm door is a multi-purpose accessory that you'll enjoy for years to come.



Let the outside in.

Invite sunlight and a breeze into your home. The storm door glass panel can be converted into a screen door to gain more seasonal ventilation.

Because we're always working to further refine our products and develop new ones, specifications may change without notice. Actual product may vary slightly from illustrations and photos. Due to printing limitations, actual colors may vary from those shown.

Reliable

protection.



Exceptional energy efficiency.

Pella® storm doors with Low-E glass are energy-efficient and help block the sun's fading UV rays (select models).

Double weatherstrip.

Overlapping frame with double weatherstrip offers a clean look and a tight seal against the elements.



Color match options.

Pella storm doors are available in colors to match your Pella windows and doors. Or personalize your home by coordinating the color of your storm door with your home's exterior, shutters or trim.*

*Availability varies by model.





Backed by one of the best warranties in the business.

Every Pella® storm door is backed by our Lifetime Storm Door Protection Plan. Visit PellaStormDoors.com for complete warranty details.

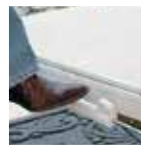


Express Installation.

Pella Express Install® means your new storm door can be installed in as little as 60 minutes.¹



Installation screws are covered for a clean, finished appearance.



One-Touch® closer holds door open with a touch of a button (select models).*



Fully tempered glass ensures added safety.



Two closers ensure smooth operation and are **color-matched** to the door.



Overlapping frame with **double weatherstrip** prevents drafts and offers a clean look.*



Heavy-duty hinges provide dependable performance.

¹ On a typical installation. See specific product information for availability.

Explore the
possibilities.

Pella makes it easy to find the door that best fits your home and your lifestyle.



Pella Select Storm Doors

DESIGN FLEXIBILITY.

Personalize your entrance.

Our widest range of frame colors, hardware finishes and fullview glass designs help you instantly transform your entryway.

Enjoy maximum light and breeze.

Pella Select fullview storm doors invite the light inside with full glass. Gain comfort in all seasons with the interchangeable full screen¹.

Let the beauty of your door shine through.

A storm door can increase curb appeal and complement your entry door. Choose from a variety of accent frame designs and stylish hardware to create a new look.

See Pages 7-8 for details.



Pella Rolscreen[®] Storm Doors

LIGHT AND FRESH AIR.

Beautifully convenient.

Enjoy a clean, clear view without having to remove the screen. The screen easily rolls up or down - and out of sight.

Reflect your personal style.

Pella Rolscreen storm doors offer popular color and hardware finishes to enhance your curb appeal.

See Pages 9-10 for details.

Pella Self-Storing Storm Doors

SIMPLY PROTECTION.

Easy operation.

The self-storing screen design allows screens to be ready for use when you need them without ever needing to be removed.

Two styles.

Choose a midview or highview frame style to help protect the screen from children and pets.

See Pages 10 for details.

¹ WARNING: Screen will not stop child or pet from falling out of window or door. Keep child or pet away from open window or door.

Select storm doors

With Pella Select storm doors, you can create a door that's inviting and beautiful. Create hundreds of distinctive combinations with our wide array of hardware finishes, colors and dazzling glass options that put the spotlight on your entryway.



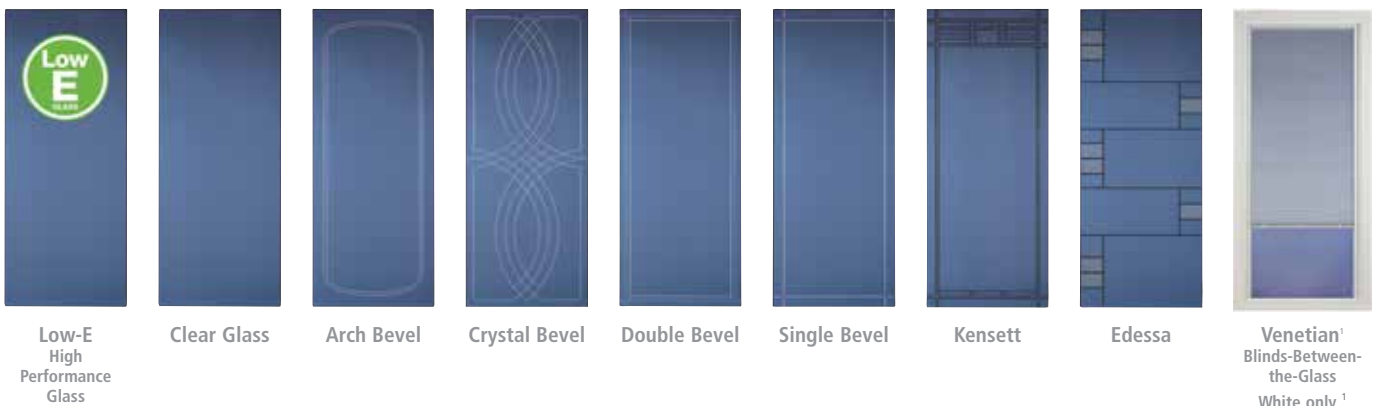
Reflect your personal style.

Select models are available in 12 frame colors, nine distinctive glass designs and stylish handles in a choice of five finishes.



Glass.

Give your home curb appeal with our exclusive glass designs. Glass panels are interchangeable with a full screen (screen included with frame) ¹. Glass is fully tempered for added safety.



Pella Select

- Seasonal ventilation with an interchangeable full screen¹
- Durable aluminum frame has reinforced corners
- Keyed deadbolt provides peace of mind
- Adjustable bottom expander fits uneven sills
- One-Touch[®] closer holds door open with a touch of a button
- Two color-matched closers provide smooth closing action
- Concealed installation screws offer a finished look



Pella[®] storm doors **increase energy efficiency by up to 80%**, making your home more comfortable.



One-Touch[®] closer holds door open with a touch of a button.



Overlapping frame with **double weatherstrip** prevents drafts and offers a clean look.

Hardware.

Choose decorative finishes to coordinate with other finishes in your home. Pella's stylish, easy-to-operate handle features a keyed deadbolt to provide added security and peace of mind.



Select [®] Storm Door Design Guide	Low-E	Clear	Decorative Glass	Blinds-Between-the-Glass
FRAME CONSTRUCTIONS				
1-5/8" heavy-duty overlapping frame with double weatherstrip	•	•	•	•
COLOR-MATCHED FRAME COLORS				
All colors	•	•	•	
White only				•
HANDLE FINISHES (sold separately)				
Bright Brass, Antique Brass, Satin Nickel, Oil-Rubbed Bronze, Matte Black	•	•	•	•
HARDWARE				
Matching interior and exterior handles	•	•	•	•
Keyed deadbolt	•	•	•	•
Two color-matched closers, bottom closer featuring One-Touch [®] hold-open button	•	•	•	•
SCREENS				
Full screen interchangeable with glass insert	•	•	•	
INSTALLATION				
Express Install [®] system	•	•	•	•
SIZES				
32" x 81"	•	•		•
36" x 81"	•	•	•	•
Custom Size: 24" to 42" W; 70" to 97" H	•	•		
Double Door installation kit available	•	•	•	•

¹ Venetian has fixed insulating glass. Screen not available.

Rolscreen storm doors

Enjoy the best of both worlds - light and air. Pella storm doors with Rolscreen retractable screens¹ offer a refreshing breeze, a clear view or both.



Rolscreen Retractable Screen

An exclusive operating system includes a conveniently concealed screen. Gently pull it down to provide ventilation. Lift it up, and it glides out of sight.



Choose midview or fullview glass for maximum light or more protection. Two models offer a stylish handle - inside and out - with a keyed deadbolt, available in three finishes. A One-Touch[®] closer holds the door open at the touch of a button.



Multiple styles include your choice of decorative grilles for a classic look, plus stylish exterior handles with integrated keylocks. Two closers ensure smooth operation and are color-matched to door. Available in custom sizes.



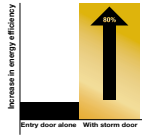
¹ WARNING: Screen will not stop child or pet from falling out of window or door. Keep child or pet away from open window or door.

QUALITY YOU EXPECT FROM PELLA.

Pella® storm doors are built to last with quality features that help ensure years of dependable performance. Features may vary by model.



One-Touch® closer holds door open with a touch of a button.



Pella® storm doors **increase energy efficiency by up to 80%**, making your home more comfortable.



Fully tempered glass ensures added safety.



Keyed deadbolt provides added security and peace of mind.



Heavy-duty hinges provide dependable performance.



Double-door or French door installation kits available.



Pella Express Install reduces installation time.

Pella Express Install® means your new storm door can be installed in as little as 60 minutes.¹

Fewer Hassles

Preassembled parts make it easy.



Flexible sizing

Adjustable frame helps you get to the right size.



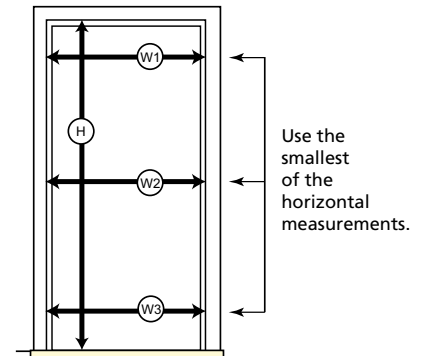
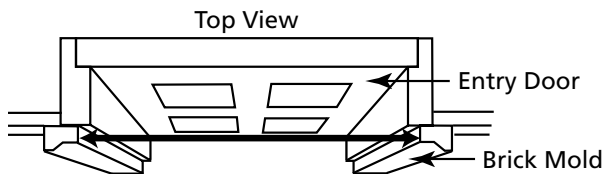
Prepped for Success

Pre-drilled holes for an easier installation.



How to Measure.

Take the following measurements. If there is a difference in measurements W1, W2, and W3, use the smallest measurement when specifying your opening size.



All Pella® storm doors feature Pella's Lifetime Storm Door Protection Plan, which provides replacement coverage for as long as you own your home. See the complete warranty for details.

Because we are always working to further refine our products and develop new ones, specifications may change without notice. Actual products may vary slightly from illustrations and photos.

Customer Service Hotline
888-646-5354

